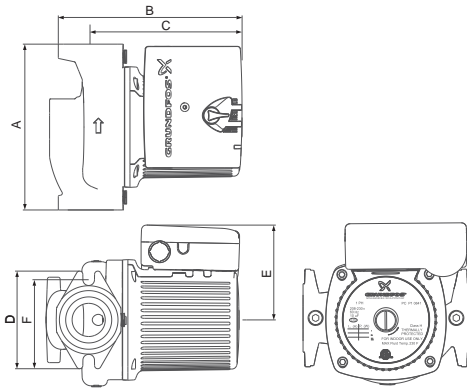


TM04 5463

Flow range: 0-53 gpm  
 Head range: 0-46 feet  
 Motors: 2-pole, single-phase  
 Max. liquid temperature: 230 °F (110 °C)  
 Min. liquid temperature: 36 °F (2 °C)  
 Max. system pressure: 145 psi (10 bar)

### UPS 26-150 F/SF



TM04 6014

| Model           | Spd | Volts | Amps | Watts | Hp  | Capacitor     |
|-----------------|-----|-------|------|-------|-----|---------------|
|                 | 3   |       | 3.5  | 370   | 1/6 | 40µF/<br>180V |
|                 | 2   | 115   | 3.1  | 335   | 1/6 |               |
|                 | 1   |       | 2.5  | 265   | 1/6 |               |
| UPS 26-150 F/SF | 3   |       | 1.7  | 350   | 1/6 | 10µF/<br>400V |
|                 | 2   | 208   | 1.5  | 310   | 1/6 |               |
|                 | 1   |       | 1.2  | 250   | 1/6 |               |
|                 | 3   |       | 1.7  | 370   | 1/6 | 10µF/<br>400V |
|                 | 2   | 230   | 1.5  | 335   | 1/6 |               |
|                 | 1   |       | 1.2  | 265   | 1/6 |               |

### Approvals



| Model type    | Product number |             | Dimensions [inches] |       |       |       |       |       | Connection type and size                    | Shipping weight [lbs] |
|---------------|----------------|-------------|---------------------|-------|-------|-------|-------|-------|---|-----------------------|
|               | 115 V          | 208 / 230 V | A                   | B     | C     | D     | E     | F     |   |                       |
| UPS 26-150 F  | 95906630       | 95906631    | 6 1/2               | 7 1/8 | 5 7/8 | 3 7/8 | 3 3/4 | 3 1/8 | GF 15/26 flange<br>(2) 1/2" dia. bolt holes | 17.35                 |
| UPS 26-150 SF | 95906632       | 95906633    | 6 1/2               | 7 1/8 | 5 7/8 | 3 7/8 | 3 3/4 | 3 1/8 | GF 15/26 flange<br>(2) 1/2" dia. bolt holes | 17.35                 |

**Note:** Dimensions in inches unless otherwise noted.